

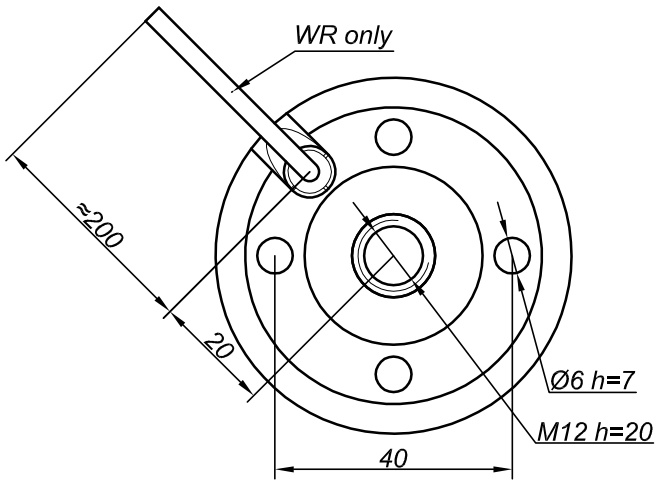
1

2

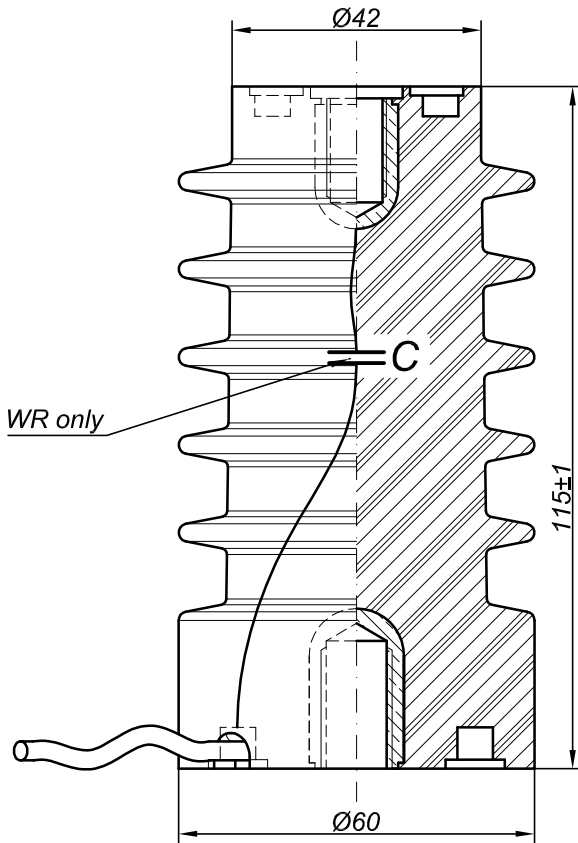
3

4

A



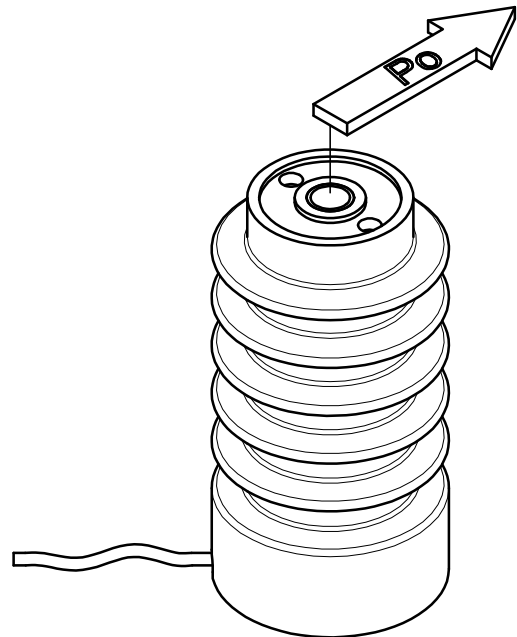
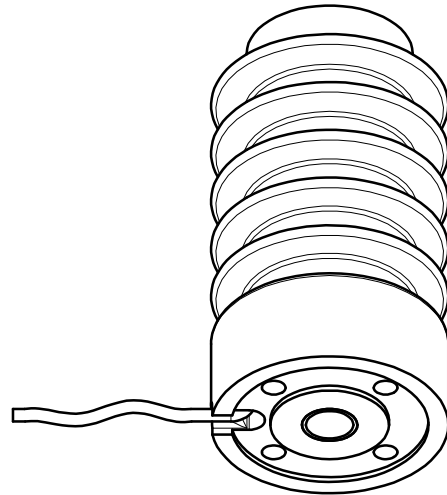
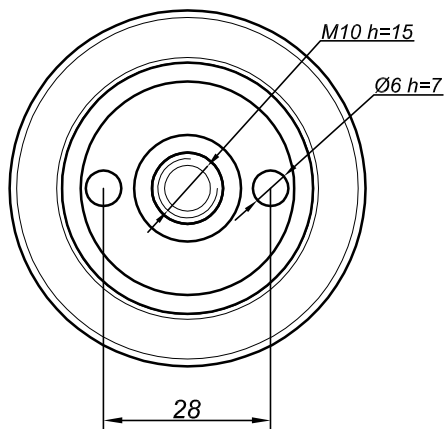
B




C

D

E



|  |            |                |  |            |    |  |     |   |
|--|------------|----------------|--|------------|----|--|-----|---|
| 0,52   | RAL ≈ 8016 | 4              | IEC 60694  | 12         | 28 | 75                                       | 330 | <i>Po</i> - failing load bending (IEC 60660)<br><i>Ur</i> - rated voltage<br><i>Ud</i> - dry power frequency withstand voltage<br><i>Up</i> - dry lightning impulse withstand voltage |
| weight [kg]  | color      | <i>Po</i> [kN] | GOST 1516.3-6                                    | 10         | 42 |  |     |   |
| <br>www.kizo-izolatory.pl |            |                | Casting Resin Indoor Insulator<br>types W and WR |            |    | Type <i>Type W 12-4/115; WR 12-4/115</i> |     |   |
| Records No   |            | Version        |  | Drawing No |    | Date                                     |     |   |
| KK-05  |            | 1              |  | 05-02      |    | 10-2014                                  |     |   |