

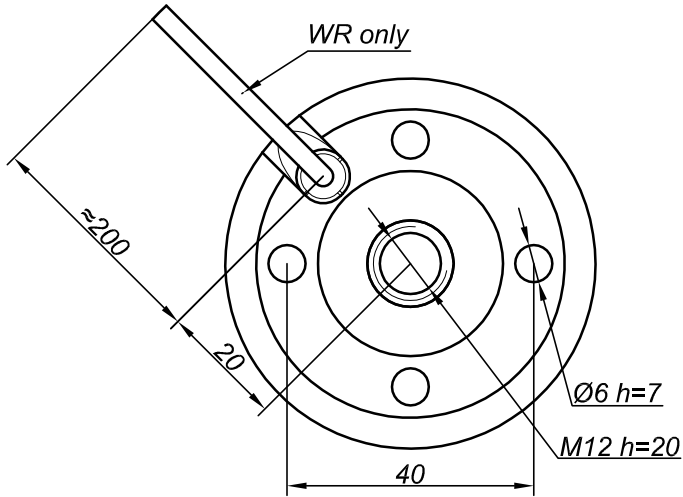
1

2

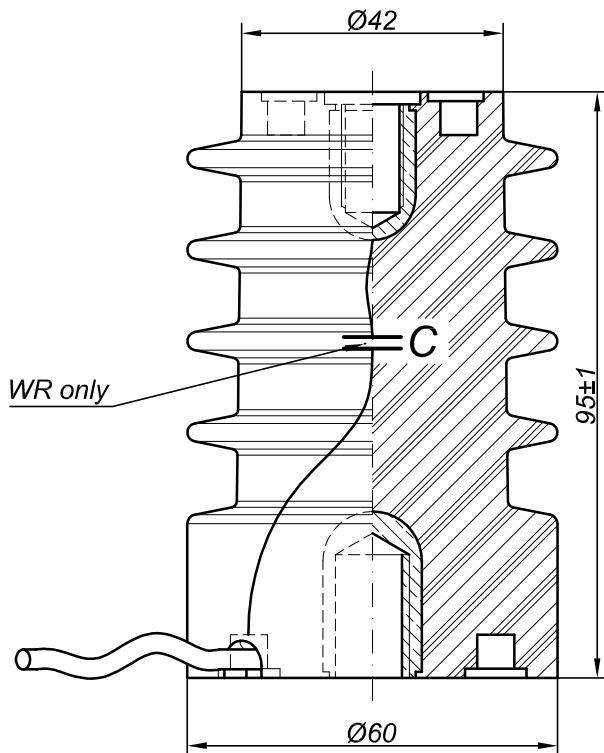
3

4

A

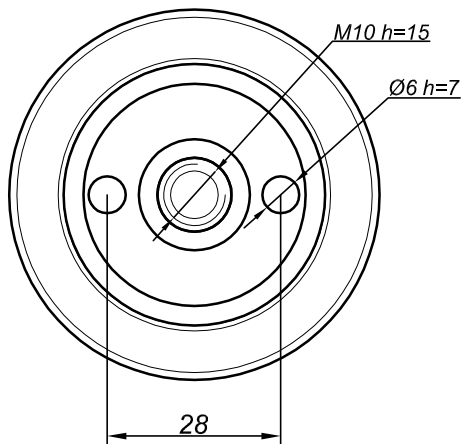


B

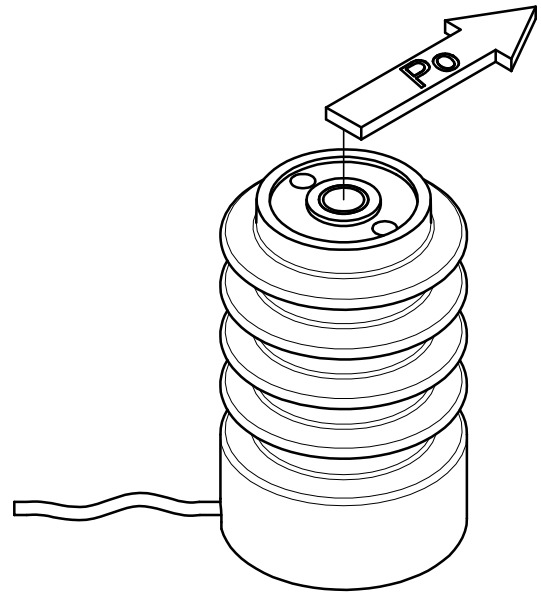
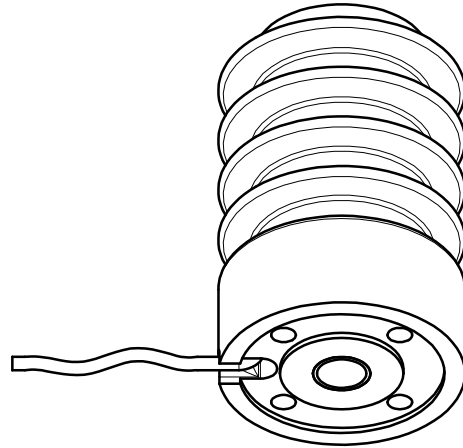


C

D



E



0,45	RAL ≈ 8016	6	IEC 60694	7,2	20	60	330	Po - failing load bending (IEC 60660)
weight [kg]	color	Po[kN]	GOST 1516.3-6	Ur [kV]	Ud [kV]	Up [kV]	C[pF]	Ur - rated voltage
			Standard					Ud - dry power frequency withstand voltage
								Up - dry lighting impulse withstand voltage

[www.kizo-izolatory.pl](http://www.kizo-izolatory.pl)

 Casting Resin Indoor Insulator  
 types W and WR

Records No

KK-05

Version

1

Drawing No

05-01

Date

10-2014

 Type *Type W 7,2-6; WR 7,2-6*